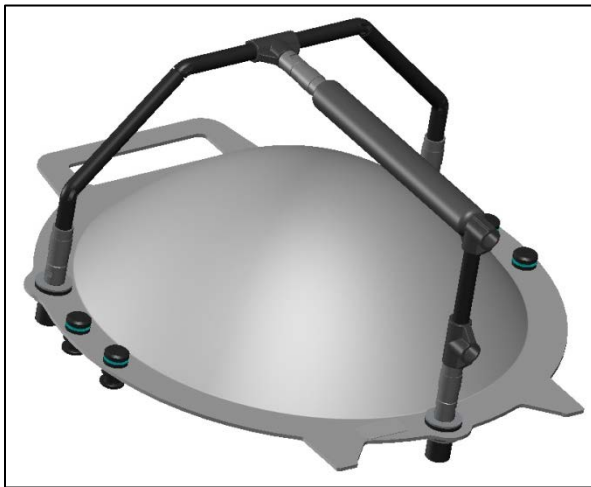


Klover MiK 16 Assembly Sequence

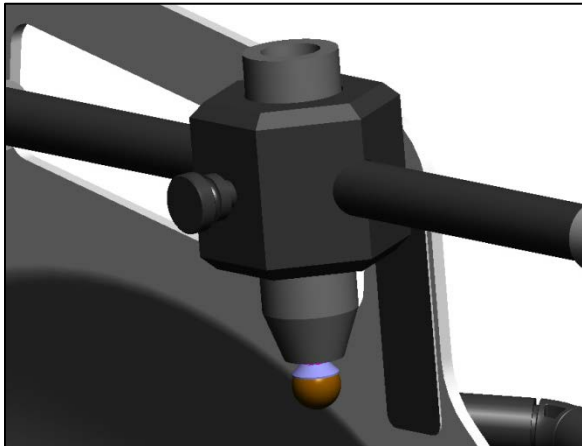
Step 1 - Install horizontal cross bar on the top two connectors with the remaining connector pointing toward the bottom of the dish



Step 2 - Install vertical handle and snap onto the horizontal cross bar



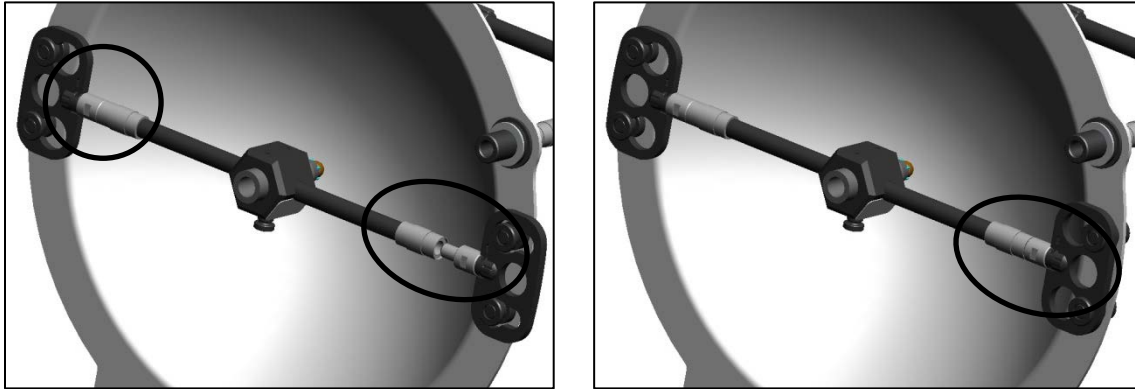
Step 3 - Focus microphone - Option #1 - Use label to position mic 2 ¼" behind mic yoke



(Steps 4 and 5 are on the back of the sheet)

Step 4 - Install Mic Yoke

The thumb screw should be on bottom, small targeting screws on top, and arrows in both end plates pointing up. Remove second end plate from the microphone yoke, slide the first end plate onto locator pins, then place second end plate onto locator pins on opposite side of dish and snap into place. (If the end plates have been removed you may have switch the two end plates in order to properly align them. There are small flats on the connectors that should match. They should both be horizontal or both vertical.)



Step 5 - Focus microphone - Option #2 - Position the center of the microphone pickup 1 1/2" behind the front surface of the dish using a tape measure

