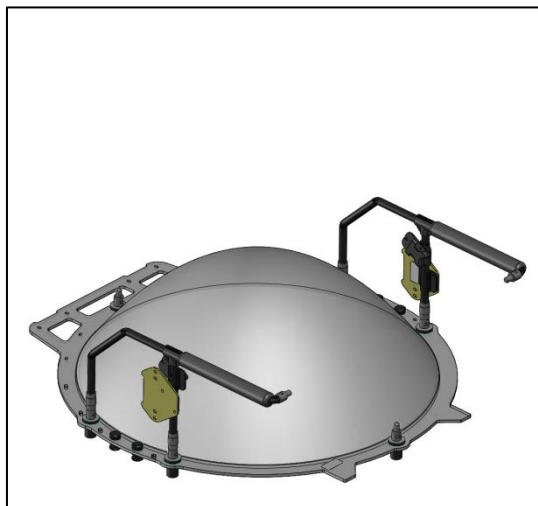
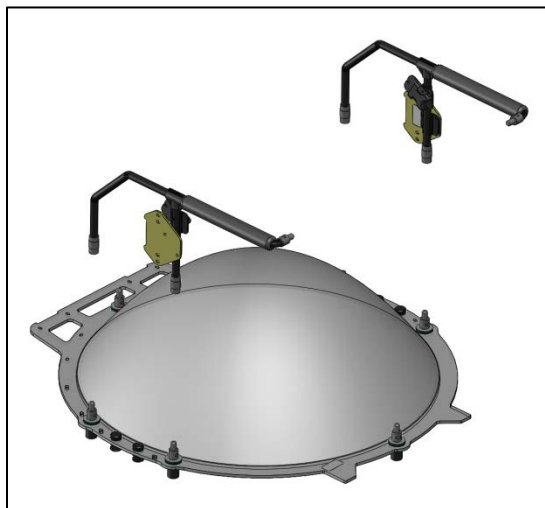
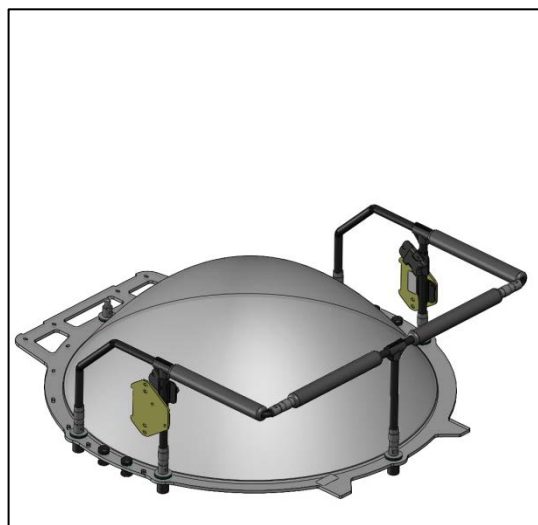
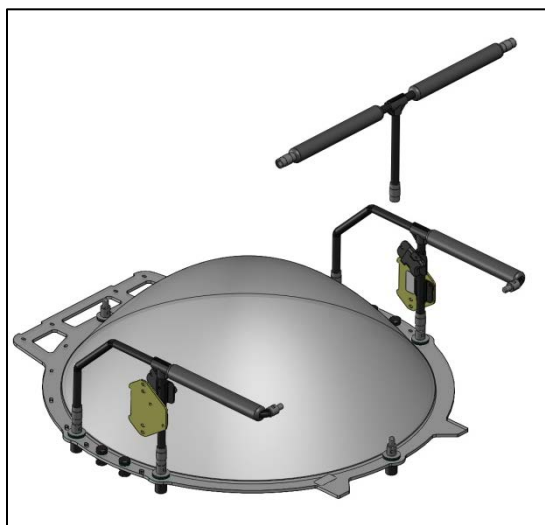


Klover MiK 26 Assembly Sequence

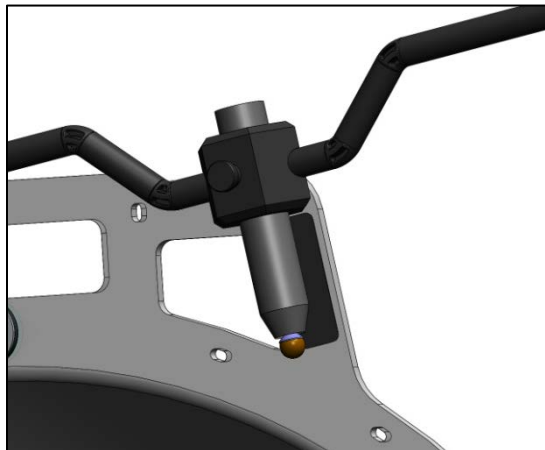
Step 1 - Install left and right handles with the connectors toward the center of the dish (plates outward)



Step 2 - Install rear cross bar (Rotate rear bar 180 degrees if the connectors won't snap into place)



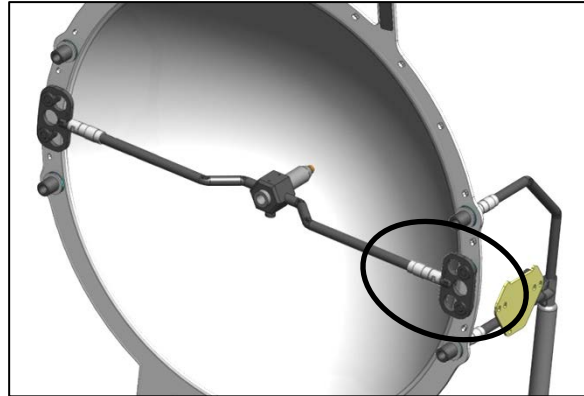
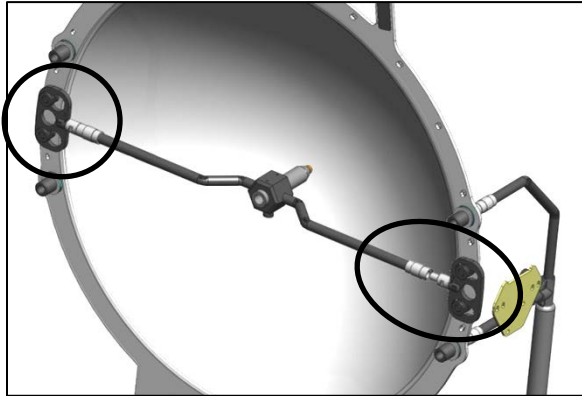
Step 3 - Focus microphone - Option #1 - Use label to position mic 2 1/4" behind mic yoke



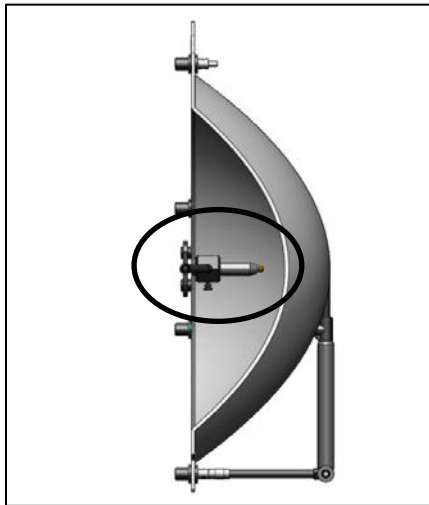
(Steps 4, thru 7 are on back of sheet)

Step 4 - Install Mic Yoke

Thumb screw should be on bottom, small targeting screws on top, and arrows in both end plates pointing up. Remove second end plate from yoke, slide first end plate onto locator pins, then place second end plate onto locator pins on opposite side of dish and snap into place. (If the end plates have been removed you may have switched the two end plates in order to properly align them. There are small flats on the connectors that should match. They should both be horizontal or both vertical.)



Step 5 - Focus microphone - Option #2 - Position mic 4" behind front surface of dish using tape measure



Step 6 - Install electronics

Use slots to retain electronics and cables using Zip-Ties



Step 7 - Install neck strap

Snap buckles into place with strap inside of handles and thick part of neck pad down (logo upright)

